

APPLICATION:

PRODUCT NAME:

BACKSPLASH POT FILLER  
W/VAC. BREAKER

JOB NAME:

\_\_\_\_\_ SPECIAL CONFIGURATION  
 \_\_\_\_\_ CHECK BASE MODEL AND OPTIONS

QUANTITY:

ITEM NO.

MODEL:

5440

OPTIONS OR MODIFICATIONS:

- HANDLES (CROSS OR WRIST) CIRCLE STYLE
- VANDAL RESISTANT KIT
- OTHER \_\_\_\_\_

**FEATURES**

**CONTROL VALVE**

- \* 8" BACKSPLASH
- \* SWIVELING SEAT DISKS
- \* HOT SIDE STEM - RIGHT HAND
- \* COLD SIDE STEM - LEFT HAND
- \* STAINLESS STEEL SEAT
- \* STAINLESS STEEL SEAT SCREW
- \* STAINLESS STEEL HANDLE SCREW
- \* CLOSE ELBOWS

**HOSE**

- \* 72" HEAT MASTER FDA NITRILE/ARAMID
- \* NSF-51 (100 PSI W.P. @300
- \* RENEWABLE END FITTINGS & BUMPER
- \* INLET - 360° SWIVEL VACUUM BREAKER
- \* OUTLET - 360° SWIVEL SPOUT W/VINYL FINISH
- \* 360° SWIVEL GOOSENECK
- \* NONMARRING GOOSENECK
- \* SWIVEL ATMOSPHERIC VACUUM BREAKER

**RECOMMENDED SETTINGS**

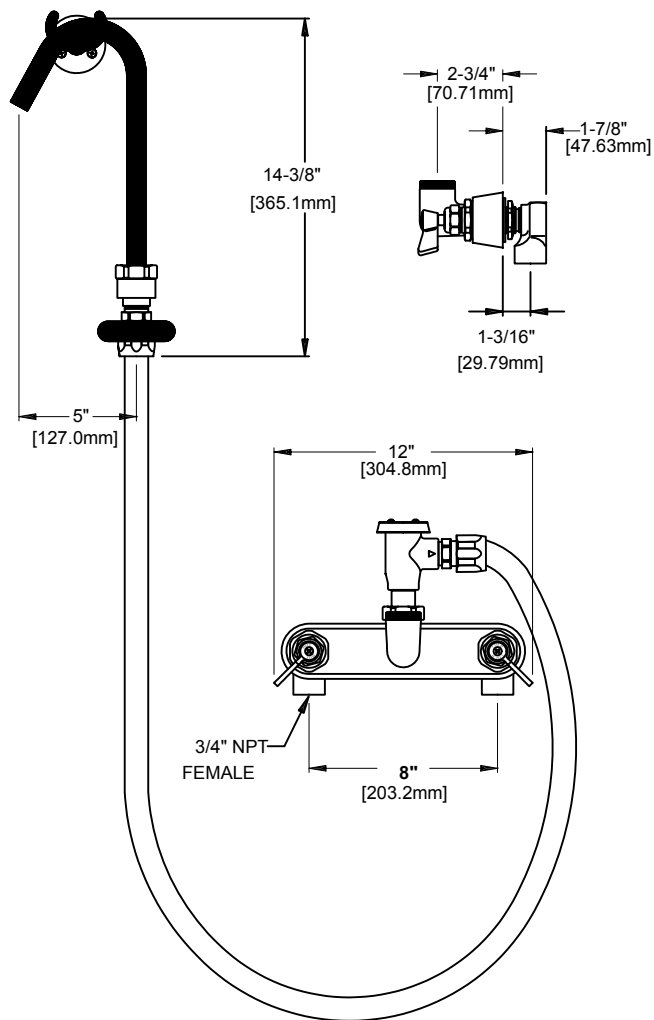
- \* 110°F AT 80 PSI

**SYSTEM LIMITS**

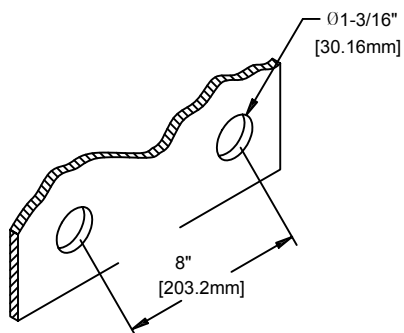
- \* TEMP: 40°F MIN. TO 140°F MAX.
- \* PRESSURE: 200 PSI MAX. STATIC
- \* 37 GPM AT 80 PSI

**SHIPPING WEIGHT**

- \* 11.0 LBS



ROUGH-IN:



ANSI/A112.18.1M

**FISHER**

FISHER MANUFACTURING COMPANY

TOLL FREE: 800-421-6162 - FAX: 800-832-8238

information@fisher-mfg.com - www.fisher-mfg.com